

ELIMINATE BATTERY REPLACEMENTS AND EQUIPMENT DOWNTIME WITH AES PROFESSIONAL



HASSLE-FREE REPLACEMENT OF GC-SIZE BATTERIES IN CLASS III WALKIE PALLET JACKS.

AES PROFESSIONAL batteries increase productivity and lower operational costs in Class III Pallet Jack applications, reducing equipment downtime, maintenance and replacement costs common to lead-acid batteries.

RETURN ON INVESTMENT

One AES PROFESSIONAL battery can replace four 6V lead-acid batteries and last the life of the equipment. A 5-year warranty and throughput performance guarantee allows you to easily calculate savings from switching to lithium.

EASY INSTALLATION

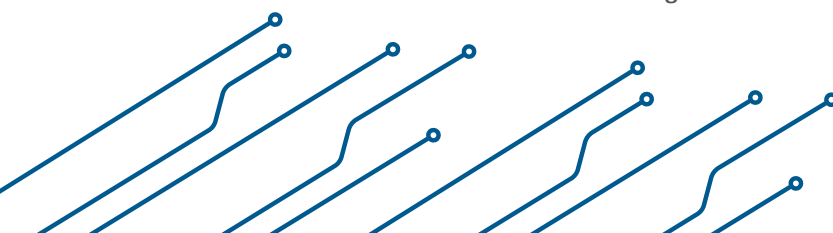
Drop-in replacement of GC2-size batteries and compatible with most OEM on-board chargers.
(See diagram for details)

SAFETY

UL2271 certification delivers industry leading functional safety. The internal Battery Management System (BMS) is designed to deliver safely and protect AES PROFESSIONAL from becoming over-discharged.

EFFICIENCY

AES Professional batteries charge up to 5x faster and are 20-30% more efficient than lead-acid batteries. Opportunity charge anytime, regardless of the State of Charge.



WHY AES PROFESSIONAL LITHIUM?

SCALABLE - Add batteries to match your energy requirements

HIGH SURGE CURRENT - Lifts with a single battery

LIGHTER WEIGHT - Up to 80% lighter than a lead acid bank.

HEATED - Integrated self-heating for cold storage or reefer trucks

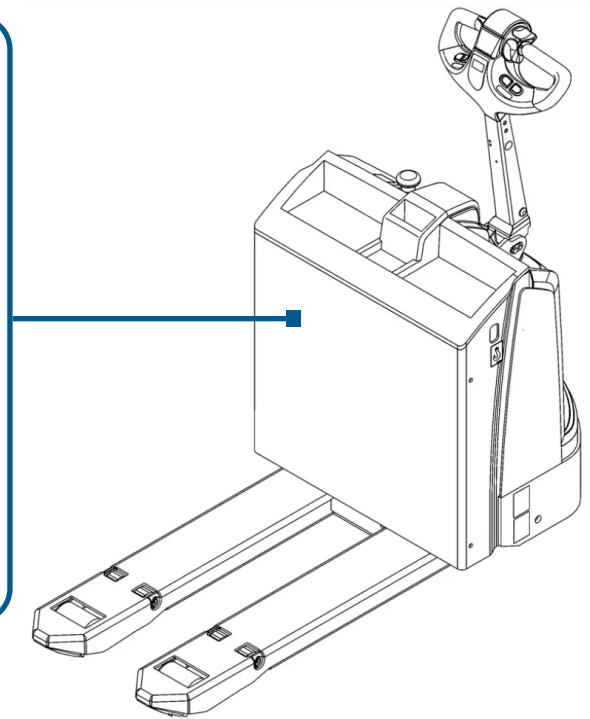
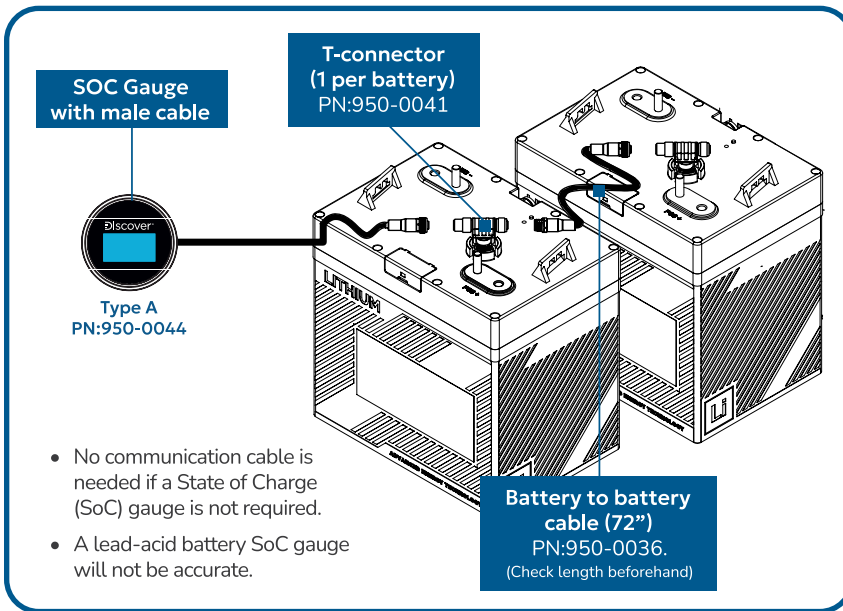
LONG-TERM STORAGE - Store powered off for extended periods

IP67 - Protect against elements & ideal for wet or humid environments



BATTERY	SOC GAUGE	ACCESSORIES	
DLP-GC2-24V	BDI Type A PN: 950-0044	DLP T Connector PN: 950-0041	DLP TOL-1800 PN: 950-0036
1	1	1	-
2	1	2	1
3	1	3	2
4	1	4	3

NOTE. More than one battery installation required for heavy load applications or extended runtime.



WHY PARTNER WITH DISCOVER AND FUTURE SOLUTIONS?



Future Solutions specializes in designing and implementing tailored energy solutions that meet the unique needs of clients across various industries. Partnering with Discover Energy Systems, a leader in energy storage since 1949, we leverage their 75+ years of battery expertise. Together, we optimize performance and reduce long-term costs, empowering innovative energy solutions that deliver exceptional value and reliability.